

SECTION 1100

MISCELLANEOUS

STRUCTURE & BRIDGE STANDARDS

STANDARD

THIS PAGE INTENTIONALLY LEFT BLANK



ROAD AND BRIDGE STANDARDS

SHEET 1 OF 1

REVISION DATE

TITLE

SPECIFICATION
REFERENCE

VIRGINIA DEPARTMENT OF TRANSPORTATION

STANDARD	TITLE	PAGE
BDP-3	BRIDGE CONSTRUCTION AND WIDENING DATE PLATES	1101.01
	BRIDGE CONSTRUCTION AND WIDENING DATE PLATES	1101.02

INDEX OF SHEETS
SECTION 1100-MISC. STRUCTURE & BRIDGE
 VIRGINIA DEPARTMENT OF TRANSPORTATION



ROAD AND BRIDGE STANDARDS

REVISION DATE

SHEET 1 OF 1

1100.01

THIS PAGE INTENTIONALLY LEFT BLANK



ROAD AND BRIDGE STANDARDS

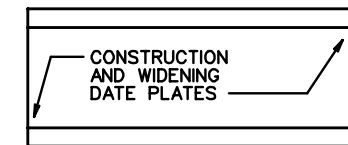
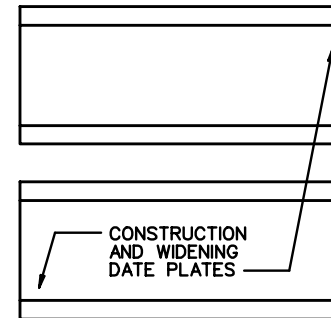
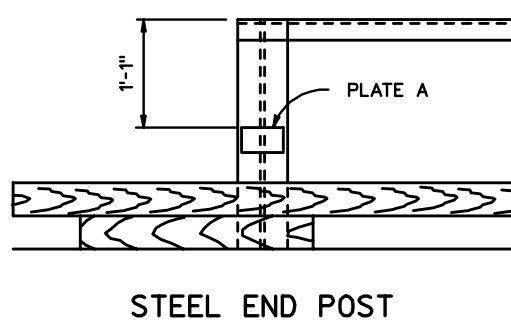
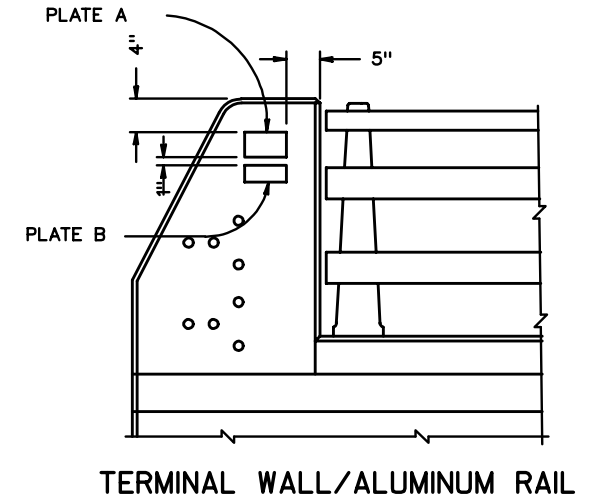
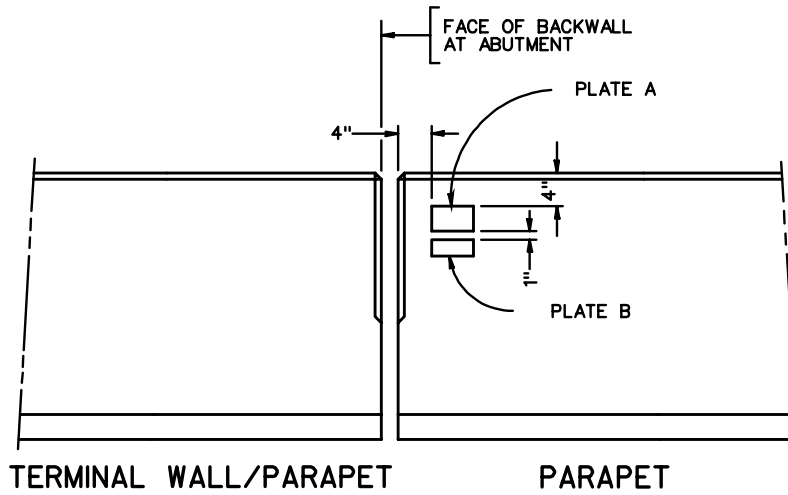
SHEET 1 OF 1

REVISION DATE

1100.02

SPECIFICATION
REFERENCE

VIRGINIA DEPARTMENT OF TRANSPORTATION



SPECIFICATION REFERENCE

BRIDGE CONSTRUCTION AND WIDENING DATE PLATES
(PLACEMENT DETAILS)

VIRGINIA DEPARTMENT OF TRANSPORTATION

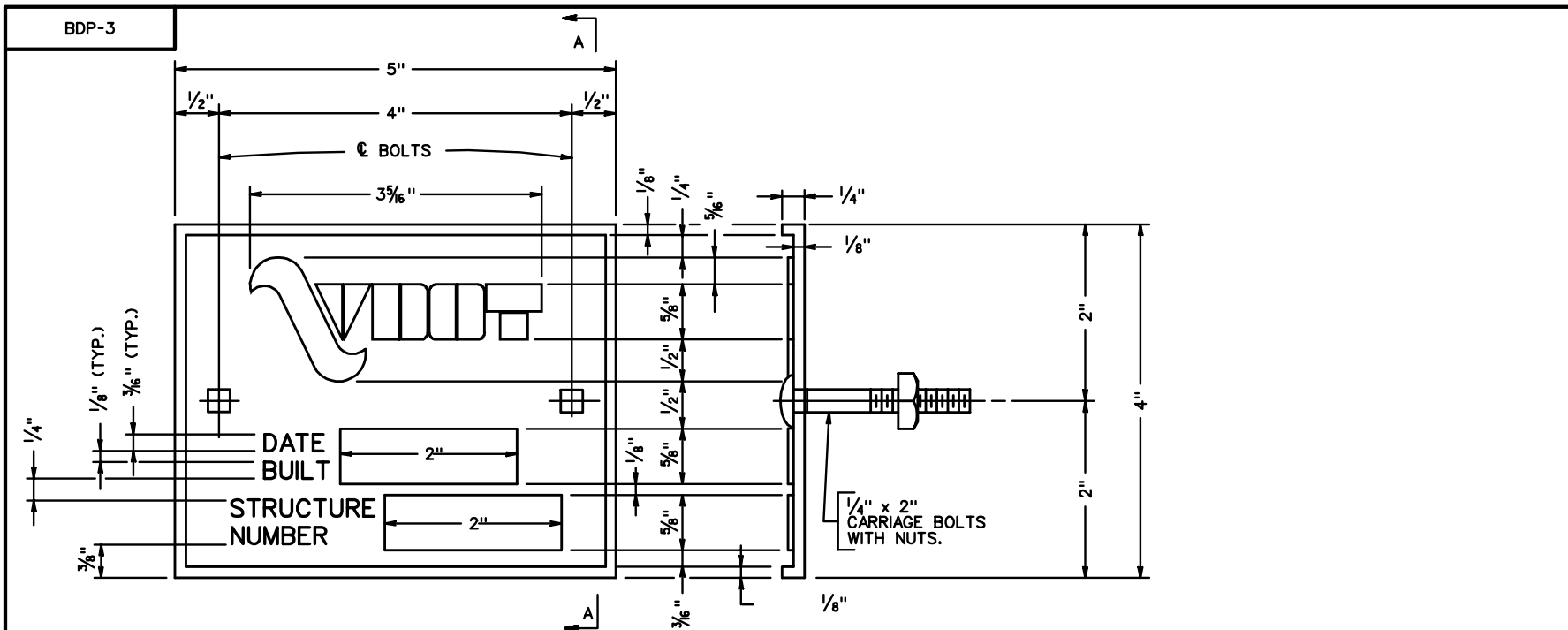
VDOT

ROAD AND BRIDGE STANDARDS

REVISION DATE

SHEET 1 OF 2

1101.01



ELEVATION

SECTION A-A

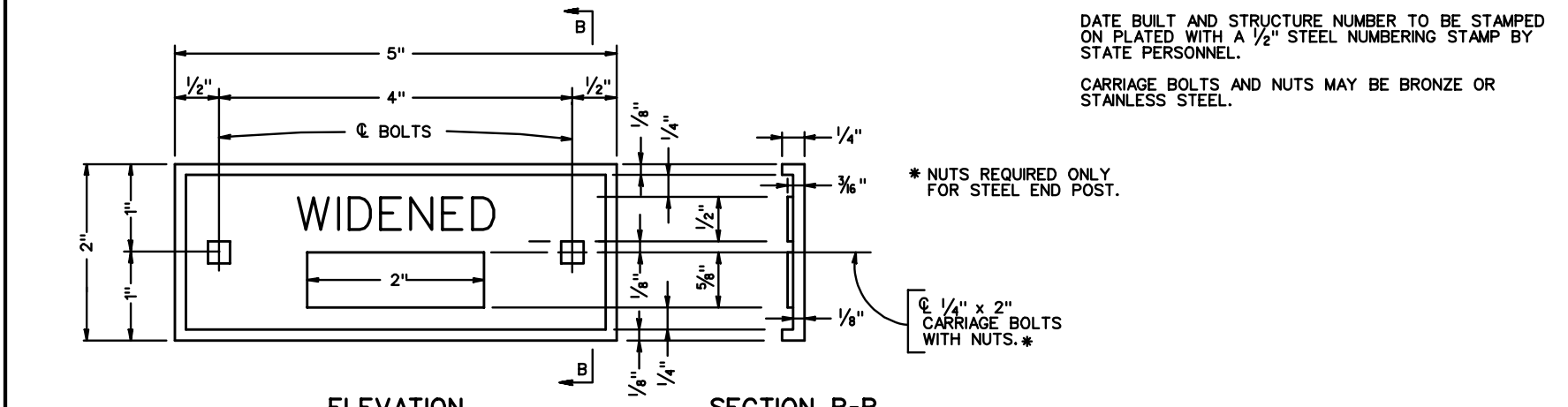
PLATE A
SCALE: 1/2" = 1'-0"

NOTES

- DATE PLATE A & B SHALL BE BRONZE.
- ALL RAISED SURFACES SHALL HAVE A BRIGHT FINISH.
- DATE BUILT AND STRUCTURE NUMBER TO BE STAMPED ON PLATED WITH A 1/2" STEEL NUMBERING STAMP BY STATE PERSONNEL.
- CARRIAGE BOLTS AND NUTS MAY BE BRONZE OR STAINLESS STEEL.

* NUTS REQUIRED ONLY FOR STEEL END POST.

1/4" x 2" CARRIAGE BOLTS WITH NUTS.*



ELEVATION

SECTION B-B

PLATE B
SCALE: 1/2" = 1'-0"

VDOT	
ROAD AND BRIDGE STANDARDS	
SHEET 2 OF 2	REVISION DATE
1101.02	

BRIDGE CONSTRUCTION AND WIDENING DATE PLATES
(DATE PLATE DETAILS)
VIRGINIA DEPARTMENT OF TRANSPORTATION

SPECIFICATION REFERENCE