

|                             |             |         |                                   |               |       |
|-----------------------------|-------------|---------|-----------------------------------|---------------|-------|
| STATE                       | FEDERAL AID |         | STATE                             |               | SHEET |
| VA.                         | ROUTE       | PROJECT | ROUTE                             | PROJECT       | NO.   |
|                             | 674         |         | 674                               | 0674-029-6134 | 1     |
| NBIS Number: 00000000006830 |             |         | UPC No. 106819                    |               |       |
| Federal Oversight Code: NFO |             |         | FHWA Construction and Scour Code: |               |       |

**DESIGN EXCEPTION(S):**  
Reduced right side of the should width from 8'-0" to 4'-0"

**GENERAL NOTES:**  
The original approved sheet, including original signatures, is filed in the VDOT Central Office. Any misuse of electronic files is illegal. Violators will be prosecuted to the full extent of the applicable laws.

Width: 30'-0" face-to-face of rails.  
Span Layout: 1 - 40'-0" prestressed slab span.  
Capacity: HL-93 loading.  
Drainage area: xx.x sq. mi.  
Specifications:  
Construction: Virginia Department of Transportation Road and Bridge Specifications, 2016.  
Design: AASHTO LRFD Bridge Design Specifications, 8th Edition, 2017; and VDOT Modifications.  
Standards: Virginia Department of Transportation Road and Bridge Standards, 2016; including all current revisions.

These plans are incomplete unless accompanied by the Supplemental Specifications and Special Provisions included in the contract documents.  
Design loading includes 20 psf allowance for construction tolerances and construction methods.

Prestressed concrete in the prestressed members shall be Class A5 having a minimum compressive cylinder strength at 28 days equal to 6000 psi and a minimum compressive cylinder strength at time of release of strands equal to 4000 psi.

Concrete in railings shall be Class A4. Concrete in abutments shall be Class A3.

All reinforcing steel shall be deformed and shall conform to ASTM A615 Grade 60 except for reinforcing steel noted as CRR (corrosion resistant reinforcement) which shall conform to Section 223 of the Specifications. All reinforcing bar dimensions on the detailed drawings are to centers of bars except where otherwise noted and are subject to fabrication and construction tolerances.

Corrosion resistant reinforcing (CRR) steels shall conform to one or more of the three Classes listed in Section 223 of the Specifications. The Class(es) of CRR steel(s) required on this project is/are noted on plan sheets and in the reinforcing steel schedule. CRR Steel, Class II or Class III, may be substituted for Class I. CRR Steel, Class III, may be substituted for Class II.

Prestressing strands shall be uncoated, seven-wire, low-relaxation steel strands conforming to ASTM A416 Grade 270.

The Bridge Date Plate shall be installed in accordance with VDOT's Road and Bridge Standards and obtained from the District Structure and Bridge Office.

B.M:

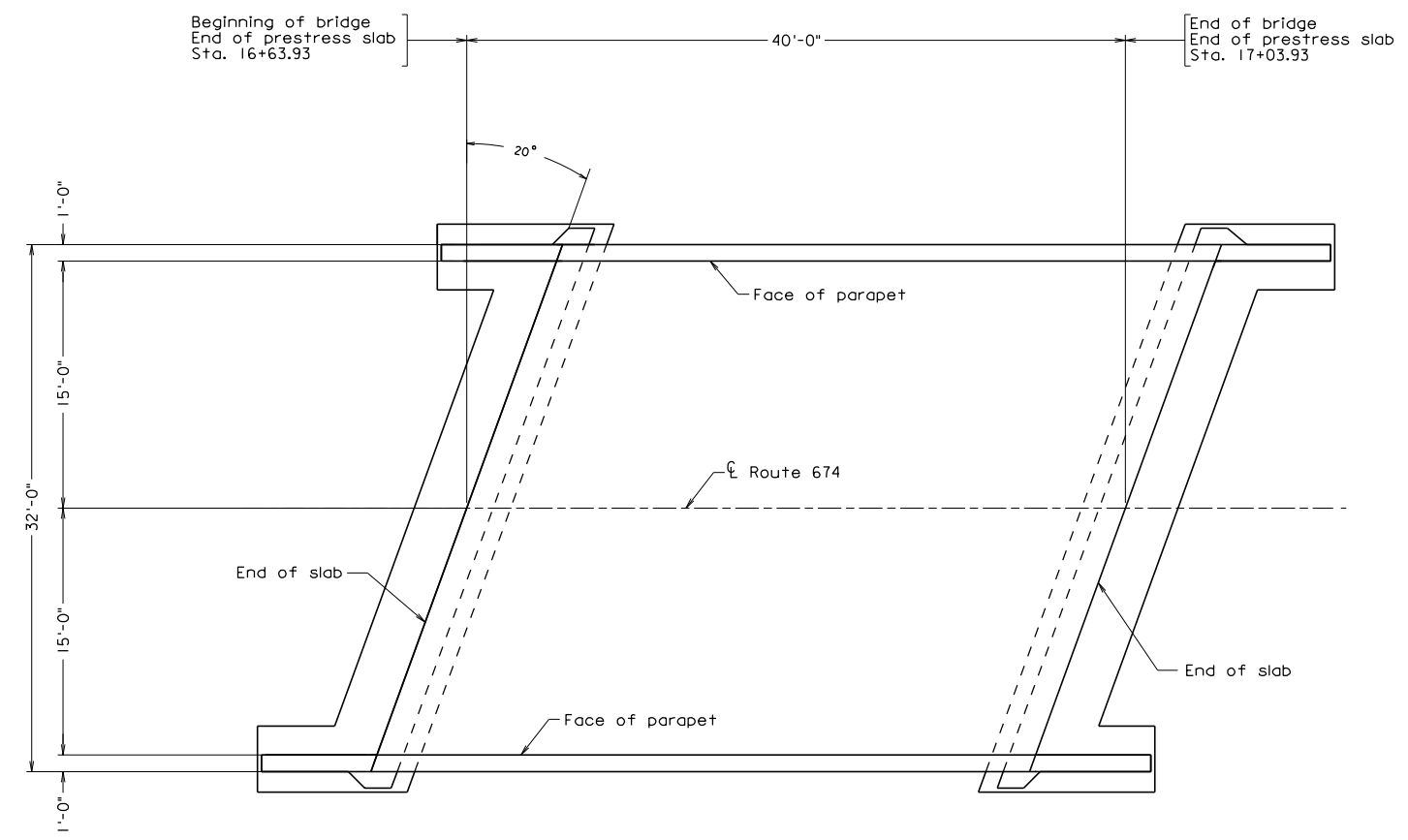


COMMONWEALTH OF VIRGINIA  
DEPARTMENT OF TRANSPORTATION  
PROPOSED BRIDGE ON  
RTE. 674 OVER PINEY RUN  
FAIRFAX COUNTY - 0.3 MI N.E. OF RTE 007  
0674-029-6134

Recommended for Approval: \_\_\_\_\_  
District Structure and Bridge Engineer Date

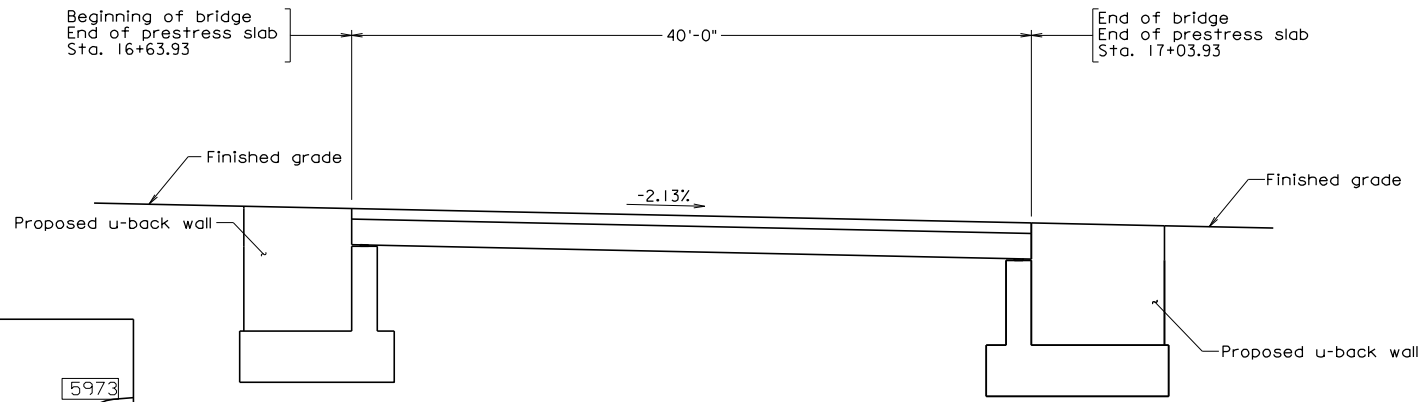
Approved: \_\_\_\_\_  
District Maintenance Manager Date

Date: June 05, 2020 © 2020, Commonwealth of Virginia Sheet 1 of 16



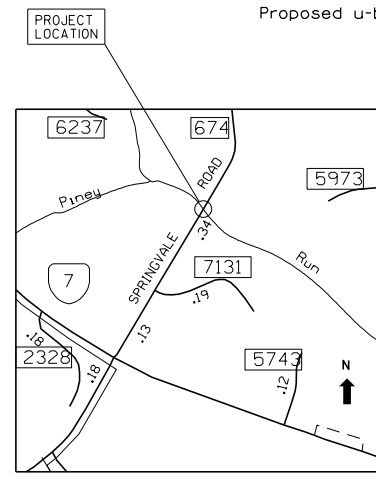
ABUTMENT A ABUTMENT B

PLAN



ABUTMENT A ABUTMENT B

ELEVATION



LOCATION MAP

**PRELIMINARY PLANS**  
THESE PLANS NOT TO BE USED FOR CONSTRUCTION

| No.                                  | Description | Date |
|--------------------------------------|-------------|------|
| REVISIONS                            |             |      |
| For Table of Revisions, see Sheet 2. |             |      |

b106819\_001.dgn

|   |                     |
|---|---------------------|
| VDOT S&B DIVISION<br>FAIRFAX, VA<br>STRUCTURAL ENGINEER |                     |
| PLANS BY:   | NOVA District S & B |
| COORDINATED:  | Dipail Patel        |
| SUPERVISED:   | Edmund Okerchiri    |
| DESIGNED:   | Ik Hyeon Kim        |
| DRAWN:  | Daniel Lee          |
| CHECKED:  | Saleh Said          |

